

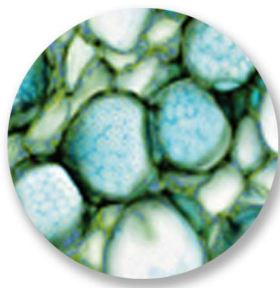
DAFFODIL MCX100

Premium microscope for routine laboratory applications



- 3 years warranty
- IC02 Plan objectives 4/10/40/100
- ARCTYPE observation tube
- Quintuple nosepiece
- Halogen/LED illumination
- Mechanical rackless stage





Optical System:

The ICO² Plan Infinity corrected objective series ensures the highest image quality. The optical system is provided with Anti-Fungus treatment. All optical parts like eyepiece-, objective-, condenser- and prism lenses are made of LEAD free glass.

Illumination - Bright and clear is essential!

HALOGEN: The DAFFODIL MCX100 is equipped with a 6V/20W Halogen illumination. A special Quick Exchange System allows a swift replace of the Halogen light bulb by simply pulling the housing. After putting back it will be locked in place by a built-in magnet. **LED:** This model is also available with an energy saving LED illumination system. The economic and very long lasting LED provide a bright illumination which is very similar to daylight.

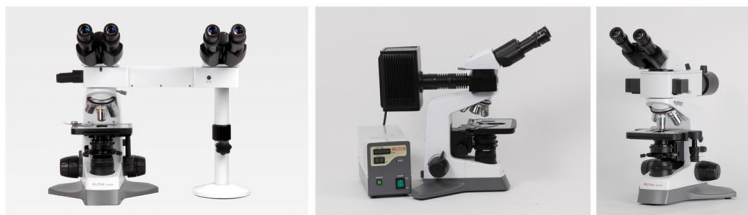
ARCTYPE ergonomic observation tube

With an inclination of 30° the ARCTYPE observation tube allows the greatest possible relief of the neck musculature. Adjustable interpupillary distance with diopter compensation from 48 to 75 mm can be individually adapted. Eyepieces are suitable for spectacle wearers.



UPGRADING

Many additional high quality accessories are available to make our Daffodil even more versatile. Daffodil features additional attachments for phase contrast, polarization, darkfield or fluorescence applications. It is possible to use our Daffodil MCX100 for multi-observation purposes and equipped with a trinocular observation tube and a digital cam or live cam documentation and analysis of observation results is possible.



Rackless mechanical glass stage

The missing rack eliminates injuries to the hand. The exchangeable, ultra-hardened and frosted glass plate ensures a clean and esthetical work. The specimen holder makes it easy and simple to place slides using only one hand.

Sliding stage

Double layer stage for fast and easy working on specimen. A greasy film between the two layers makes the stage movement very smooth. Easy and fast changing between right hand and left hand use is possible.



Quintuple nosepiece:

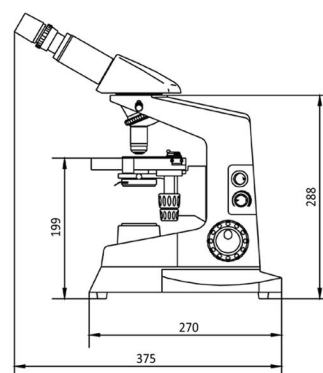
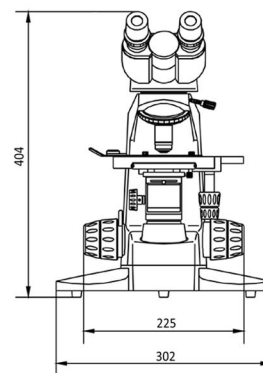
A rear-facing nosepiece creates more space on the stage and a perfect sight onto your specimen for much easier handling.

ERGONOMICS:

The ergonomic design of body and all the control elements enable a relaxing and comfortable sitting position in front of the microscope also through long working hours. The focus controls at a very low position ensure fatigue free work, because the hands can be placed on the desk while operating.

The cross section of the microscope base resembles the letter „Y“ which ensures great stability.

Optical system	Infinity corrected optical system
Standard magnification range	40x - 1000x
Koehler illumination system (2 versions available)	6V20W Halogen Advanced LED optical lighting system, LED lifetime (approx. 30.000 hours)
Microscope	Sturdy base 270 x 250 mm base with supportive rubber feet Anti-fungus treatment for all optical parts
Focusing	Coaxial coarse and fine focus control. Total focusing range 20 mm including tension adjustment and safety autofocus stop unit
Nosepiece	Quintuple, reversed angle, elastic nosepiece grip-ring
Head	Binocular ARCTYPE observation tube, 30° inclined, 360° rotatable, interpupillary distance 48 - 75 mm., diopter adjustment
Stage (2 versions available)	Rackless, double layer mechanical stage, 150 x 133 mm with exchangeable, ultra-hardened, frosted, flexible glass plate with rounded edges for safe handling, stage movement up/down 20 mm, traveling range 76mm (X) x 30mm (Y), specimen holder for one hand operation Sliding Stage - Double layer moveable round stage, Ø 160mm, moving range 19 x 40 mm, stage movement up/down 16 mm, For right hand and left hand use.
Condenser	Abbé brightfield condenser, n.A. 1.25, aperture iris with scale for each objective Centerable
Objectives	ICO ² Plan 4x/0.10, WD 17.8 mm, CC 0.17 ICO ² Plan 10x/0.25, WD 17.96 mm, CC 0.17 ICO ² Plan 40x/0.65, spring loaded, WD 4.5 mm, CC 0.17 ICO ² Plan 100x/1.25 oil, spring loaded, WD 1.81 mm, CC 0.17
Eyepieces one pair	EW 10x/20 Widefield (Ø 23 mm)
Optional accessories	Trinocular observation tube, eyepiece with pointer, reticule or crosshair, stage micrometer 0.01 mm, aluminium transport case, multi observation unit, documentation systems, temperature controlled stage, phase contrast, darkfield attachment, fluorescence attachment, LED fluorescence attachment
Available Daffodil MCX100 versions	
550105-RS	with rackless glass stage and Halogen illumination
550105-RS-LED	with rackless stage and LED illumination
550105-SL	with sliding stage and Halogen illumination
550105-SL/LED	with sliding stage and LED illumination



Microscope designs developed by MICROS AUSTRIA. Specifications and equipment are subject to change without any obligation on the part of the manufacturer.

micros
AUSTRIA

MICROS Austria
Hunnenbrunn-Gwerbezone 5
9300 St. Veit/Glan, AUSTRIA
Tel: 0043 4212/30901
Fax: 0043 4212/30901 90
office@micros.at
www.micros.at

Breitenfurterstr. 38, 1120 Vienna, AUSTRIA

EN ISO 9001 - Daffodil MCX100 - Version 10/12



ROYAL MICROSCOPICAL SOCIETY



EUROPEAN CORPORATE MEMBER ASSEMBLY (ECMA)



We are here for you

www.micros.at

